

## FEATURES & ADVANTAGES

- ✓ Designed for heavy loads
- ✓ Racking capabilities
- ✓ Optimized to fit conveyors and automated systems
- ✓ Cost effective
- ✓ Easy washing and cleaning
- ✓ Meets GMA standards
- ✓ Environmentally friendly – 100% recyclable
- ✓ Customer logo by request
- ✓ Optional RFID/IOT tracking device to provide real time data

## DS1210-16 SPECIFICATIONS

Dimensions (mm)	1200*1000*160		
	Static Load	Dynamic Load	Edge Rack Load
Load bearing capacity (kg)	6000	1500	1500
Entry	4-Way		
Material	PP/HDPE		
Branding Solutions	Digital Printing/Laser Printing/Screen Printing Hot Stamping/Labeling/RFID		
Pallet Details	Top Deck	Open	
	Bottom Support	3 Runners	
	Reinforced	Top	4 metal tubes
		Bottom	6 metal tubes
Production	Injection moulding		
Transport	40 HC	450 PCS	

Static and Dynamic Load ratings are affected by type and distribution of load. Rack load tested per ASTM-D-1185. Contact your DSP Sales Rep to discuss your application.

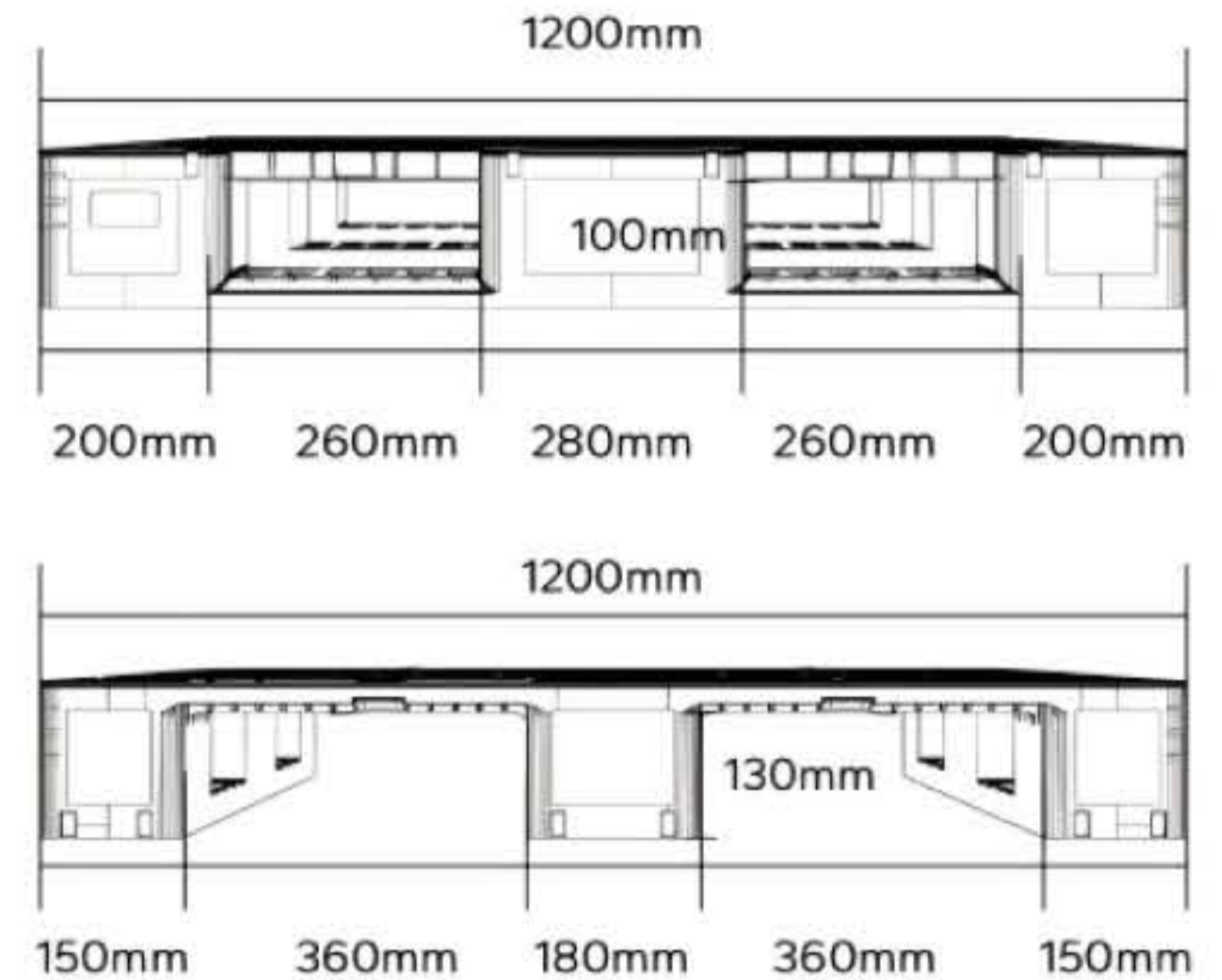
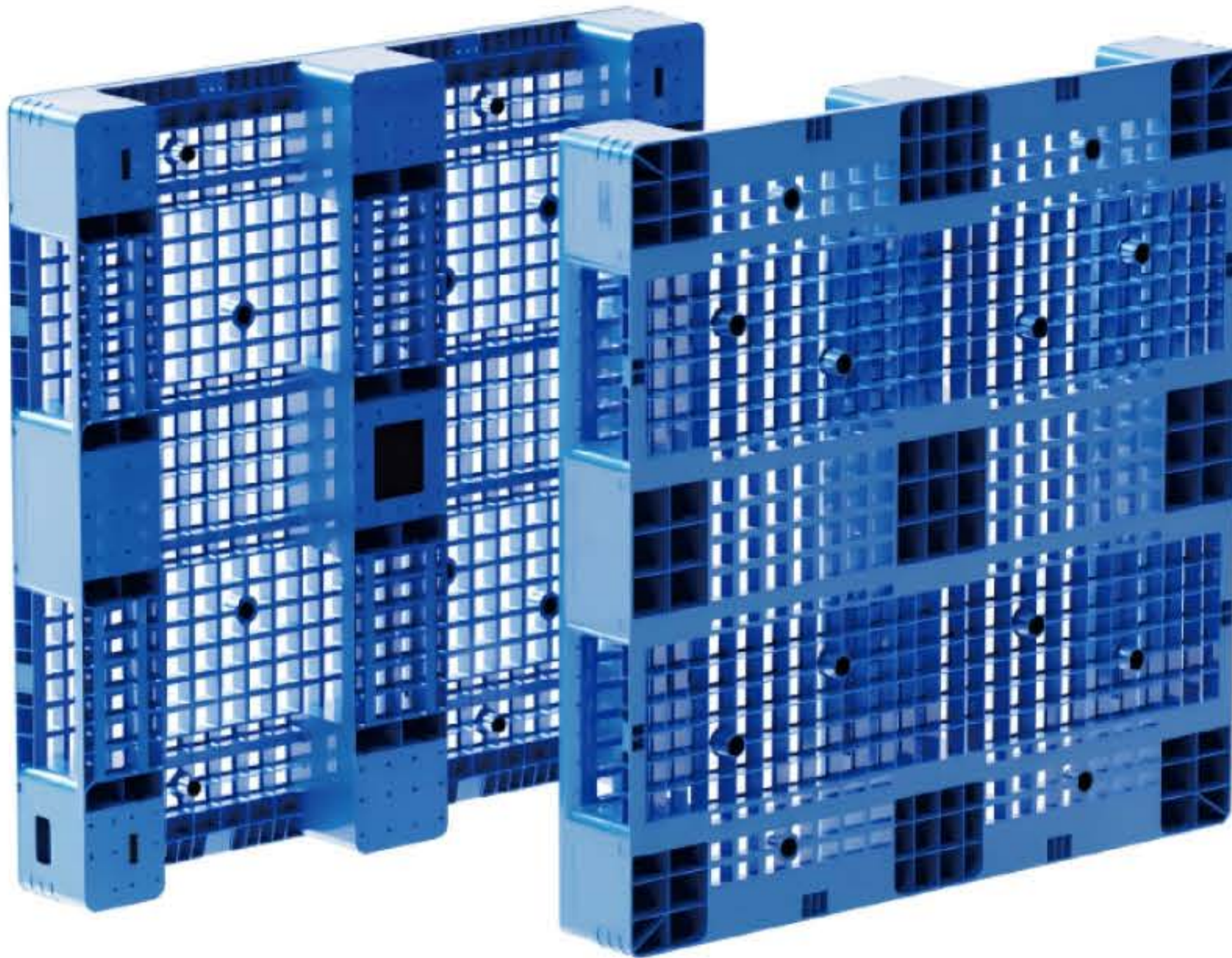
**TTF MARKETING HOLDINGS SDN. BHD.**

www.ttf.com.my

info@ttfgroup.com



Click to open website



## FEATURES & ADVANTAGES

- ✓ Designed for heavy loads
- ✓ Racking capabilities
- ✓ Optimized to fit conveyors and automated systems
- ✓ Cost effective
- ✓ Easy washing and cleaning
- ✓ Meets GMA standards
- ✓ Environmentally friendly – 100% recyclable
- ✓ Customer logo by request
- ✓ Optional RFID/IOT tracking device to provide real time data

## DS1212-16 SPECIFICATIONS

Dimensions (mm)	1200*1200*160		
	Static Load	Dynamic Load	Edge Rack Load
Load bearing capacity (kg)	6000	1500	1500
Entry	4-Way		
Material	PP/HDPE		
Branding Solutions	Digital Printing/Laser Printing/Screen Printing Hot Stamping/Labeling/RFID		
Pallet Details	Top Deck	Open	
	Bottom Support	3 Runners	
	Reinforced	Top	4 metal tubes
		Bottom	6 metal tubes
	Production	Injection moulding	
Transport	40 HC	389 PCS	

Static and Dynamic Load ratings are affected by type and distribution of load. Rack load tested per ASTM-D-1185. Contact your DSP Sales Rep to discuss your application.

**TTF MARKETING HOLDINGS SDN. BHD.**

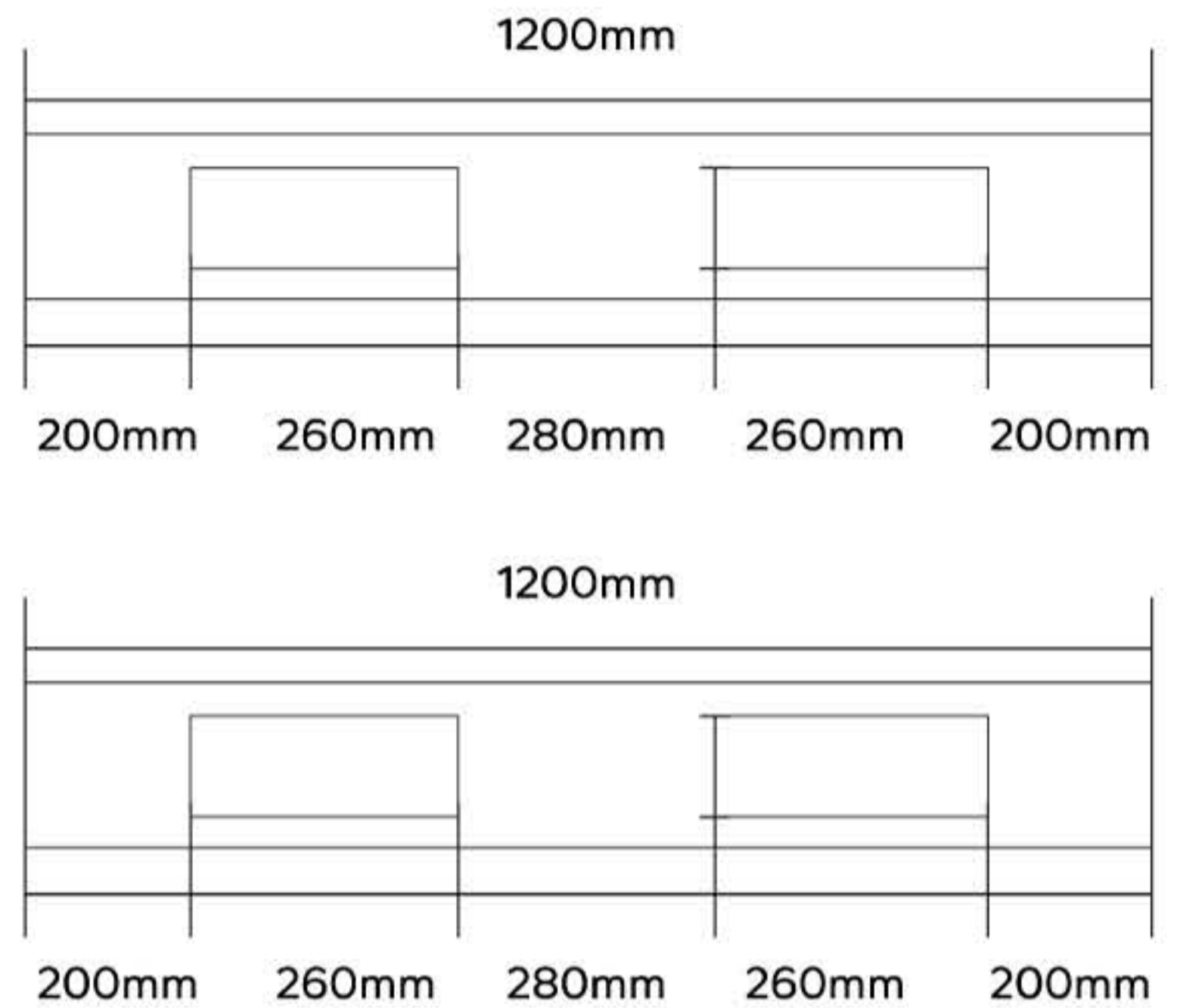
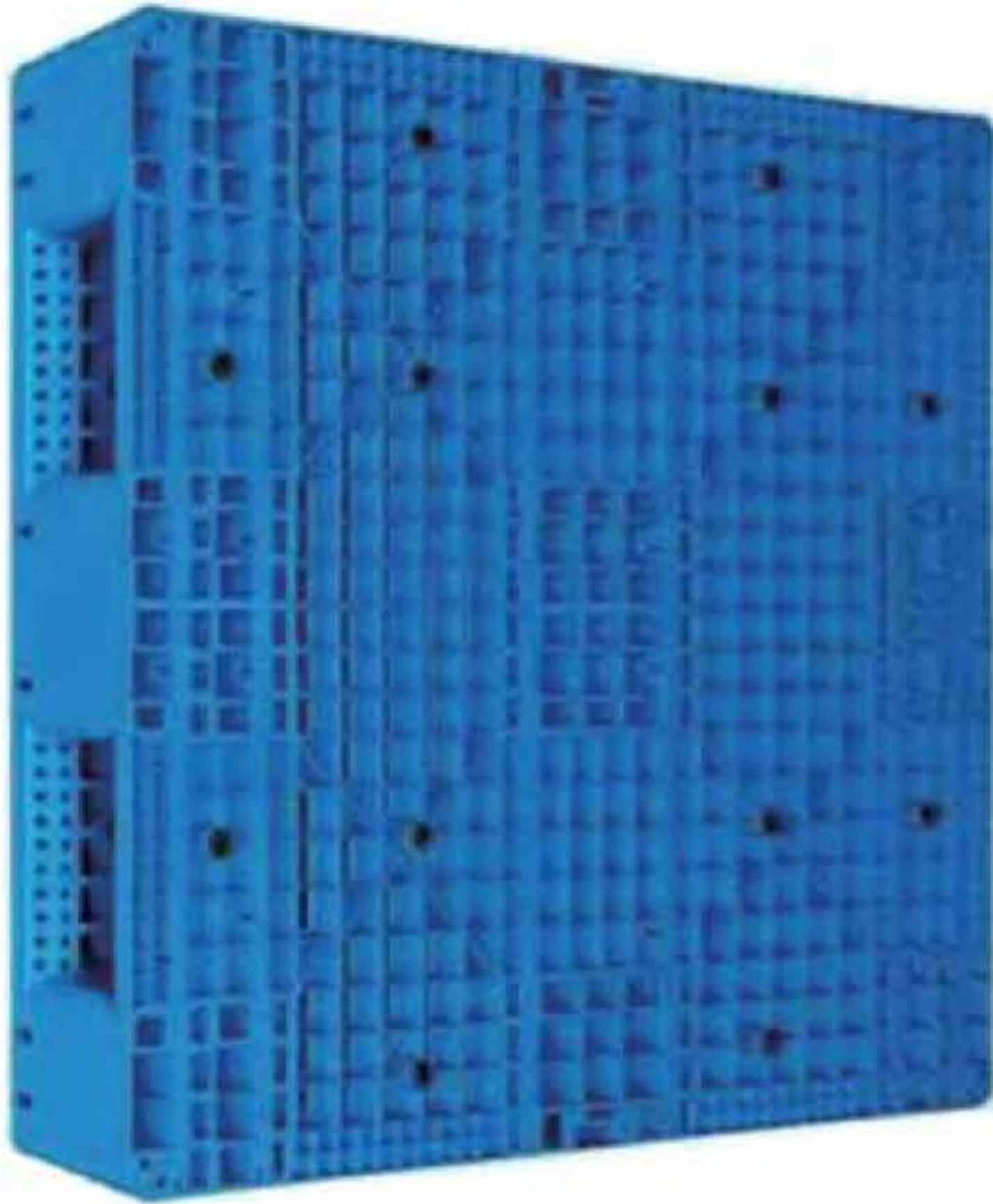
www.ttf.com.my

info@ttfgroup.com

All values are nominal and subject to manufacturing tolerances



Click to open website



## FEATURES & ADVANTAGES

- ✓ Designed for heavy loads
- ✓ Racking capabilities
- ✓ Optimized to fit conveyors and automated systems
- ✓ Cost effective
- ✓ Easy washing and cleaning
- ✓ Meets GMA standards
- ✓ Environmentally friendly – 100% recyclable
- ✓ Customer logo by request
- ✓ Optional RFID/IOT tracking device to provide real time data

## DS1212-15 SPECIFICATIONS

Dimensions (mm)	1200*1200*150		
	Static Load	Dynamic Load	Edge Rack Load
Load bearing capacity (kg)	8000	2000	1500
Entry	4-Way		
Material	PP/HDPE		
Branding Solutions	Digital Printing/Laser Printing/Screen Printing Hot Stamping/Labeling/RFID		
Pallet Details	Top Deck	Open	
	Bottom Support	Reversibl	
	Reinforced	Top	6 metal tubes
		Bottom	6 metal tubes
	Production	Injection moulding	
Transport	40 HC	270 PCS	

Static and Dynamic Load ratings are affected by type and distribution of load. Rack load tested per ASTM-D-1185. Contact your DSP Sales Rep to discuss your application.

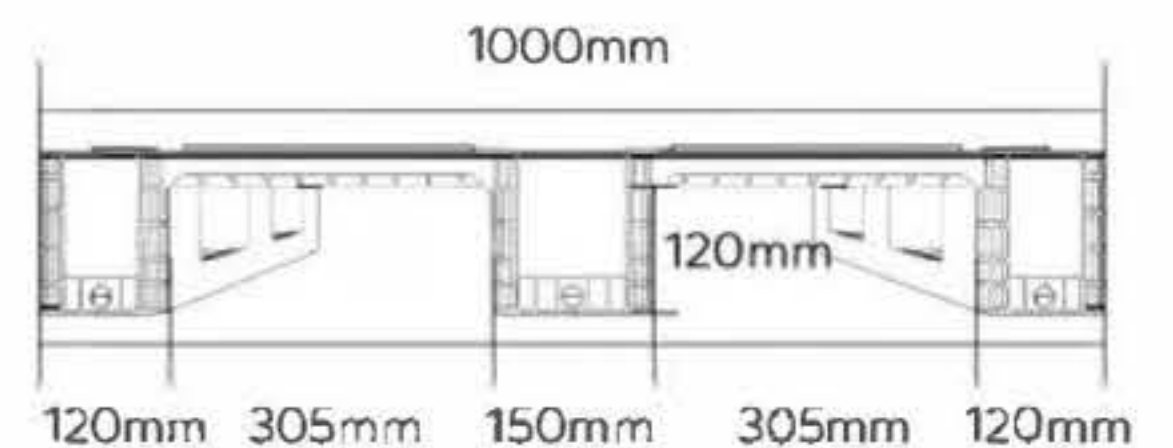
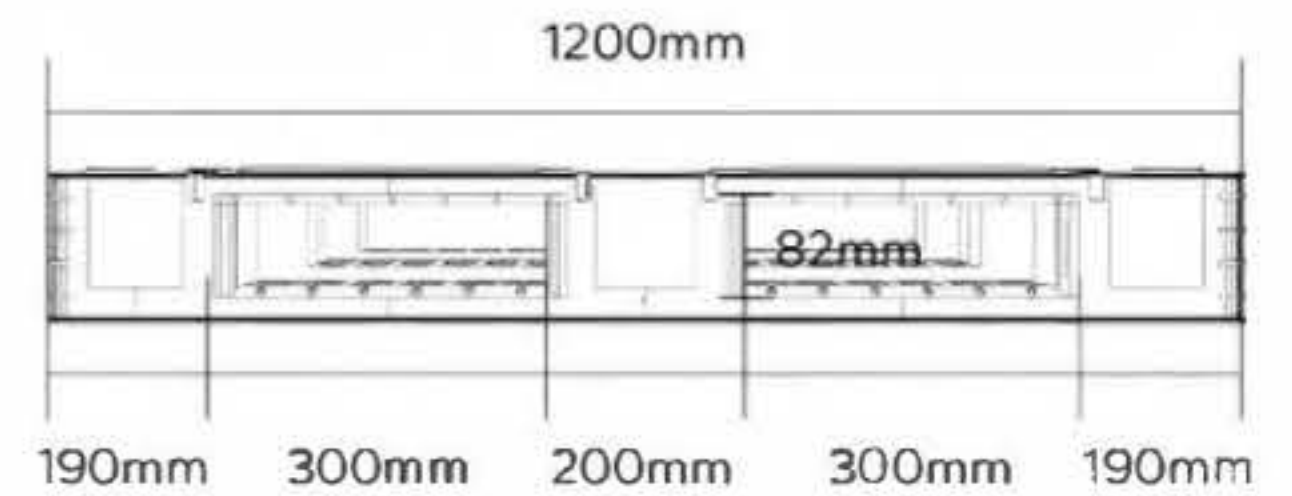
**TTF MARKETING HOLDINGS SDN. BHD.**

[www.ttf.com.my](http://www.ttf.com.my)

[info@ttfgroup.com](mailto:info@ttfgroup.com)



Click to open website



## FEATURES & ADVANTAGES

- ✓ Designed for heavy loads
- ✓ Racking capabilities
- ✓ Optimized to fit conveyors and automated systems
- ✓ Cost effective
- ✓ Easy washing and cleaning
- ✓ Meets GMA standards
- ✓ Environmentally friendly – 100% recyclable
- ✓ Customer logo by request
- ✓ Optional RFID/IOT tracking device to provide real time data

## DS1210-15 SPECIFICATIONS

Dimensions (mm)	1200*1000*150		
	Static Load	Dynamic Load	Edge Rack Load
Load bearing capacity (kg)	6000	1500	1500
Entry	4-Way		
Material	PP/HDPE		
Branding Solutions	Digital Printing/Laser Printing/Screen Printing Hot Stamping/Labeling/RFID		
Pallet Details	Top Deck	Close	
	Bottom Support	3 Runners	
	Reinforced	Top	4 metal tubes
		Bottom	6 metal tubes
	Production	Injection moulding	
Transport	40 HC	450 PCS	

Static and Dynamic Load ratings are affected by type and distribution of load. Rack load tested per ASTM-D-1185. Contact your DSP Sales Rep to discuss your application.

**TTF MARKETING HOLDINGS SDN. BHD.**

www.ttf.com.my

info@ttfgroup.com



Click to open website